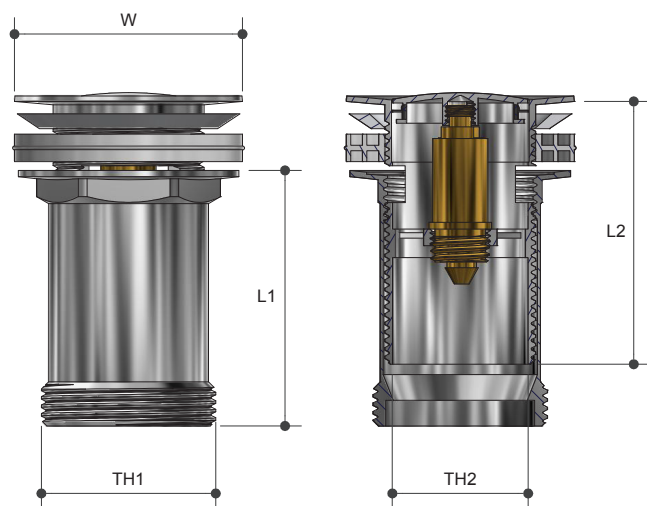


Plug and Wastes POP UP UNIVERSAL PWM3240

Product Specifications

MT MONOPOLY™
T A P W A R E



Specifications

40MM Outlet thread

Suits 32mm and 40mm basins

Sizing Chart (MM)

	L1	L2	W	TH1	TH2	SIZE
PWM3240	70	72	62	G 1 1/4"	G 1 1/2"	32MM X 40MI
PWM3240MB	70	72	62	G 1 1/4"	G 1 1/2"	32MM X 40MI

Features



Watermark approved

Available in Chrome and Matte black finish

Pop up function

Universal, for use on overflow and non overflow basins

Tested and certified to WMTS 040

For more information on Monopoly Tapware, contact:
Austworld 15 Activity Crescent, Molendinar, Queensland 4214 Australia

P. 1300 780 430 F. 1300 780 441 E. info@austworld.com.au

Austworld Pty Ltd. All rights reserved 2018. Austworld and Monopoly Tapware are registered trade mark belonging to Austworld Pty Ltd.

AW
AUSTWORLD