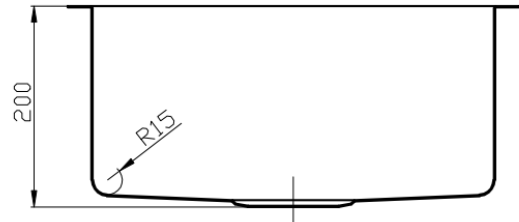
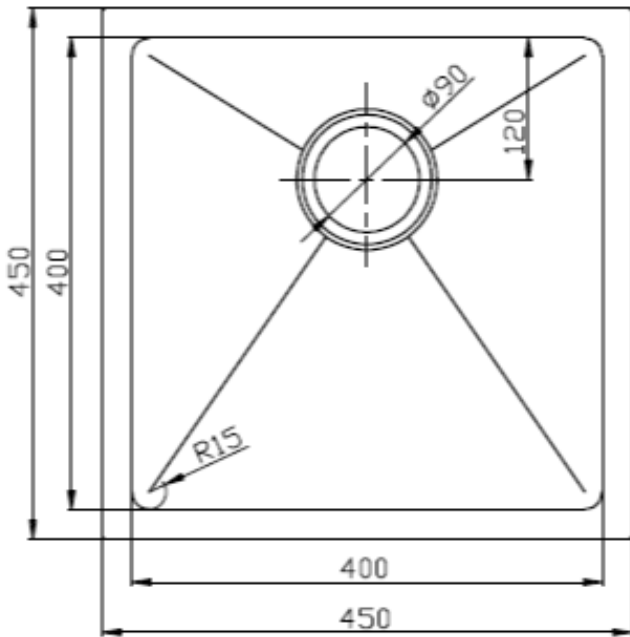


WASHINGTON

INSET/UNDERMOUNT SINK



- Modern style lazer cut sink - flat edges
- Stainless steel - SS304 - 1.2mm
- R15 corners
- No tap hole
- 450w x 450h overall x 200 deep
- 400w x 400h internal measurement x 200 deep

SKU: 1614138



swan | bathrooms

swanbathrooms.com.au | 1800 571 060

Disclaimer: Dimensions are nominal measurements only and are subject to change without notice.
Always use physical products for setouts and roughing in, as specification drawings can vary from actual product received.

Warranty: Conditions apply - full terms and conditions available upon request V: 10/21