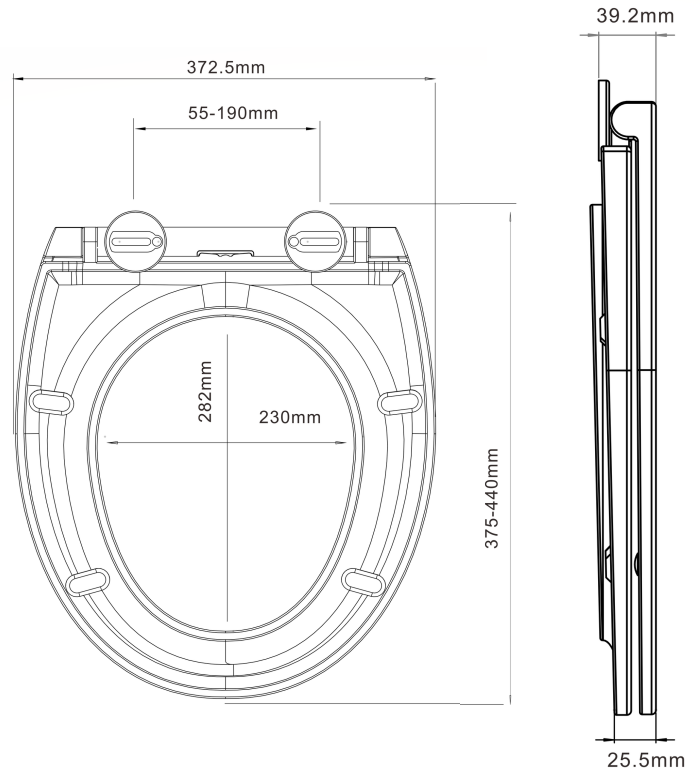
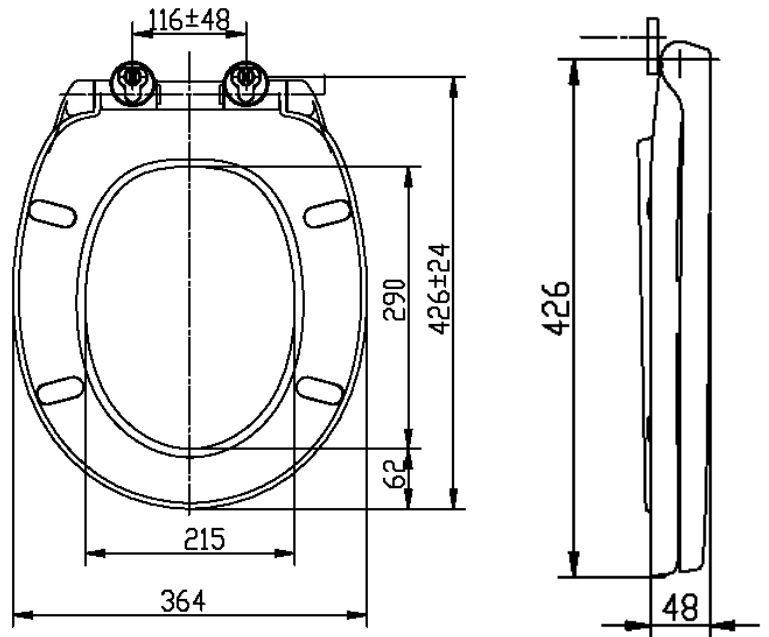


SEATS



1630109 CASEY
UF MATERIAL



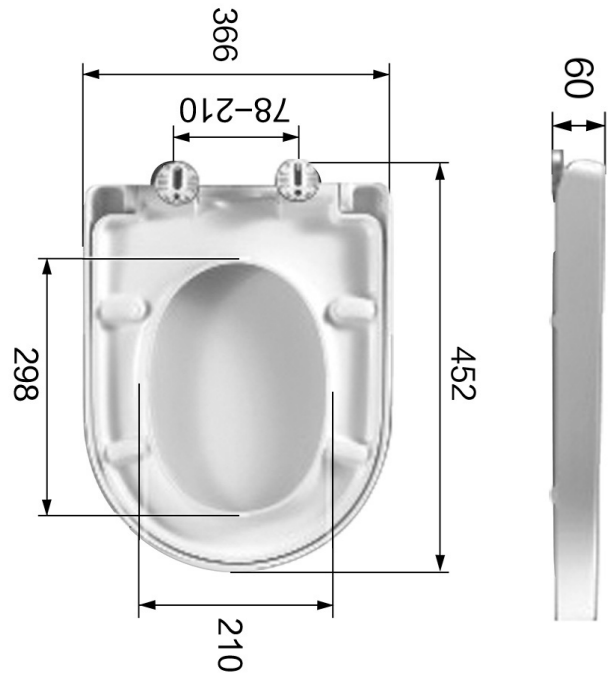
1623258 KENT
PP MATERIAL

Disclaimer: Products in this specification manual must be installed by licensed and registered trade people. The manufacturer/distributor reserves the right to vary specifications or delete models from their range without prior notification. Dimensions and set-outs listed are correct at time of publication however the manufacturer/distributor takes no responsibility for printing errors. Have actual item onsite before commencing any works Allow +/- variations to the measurements listed here

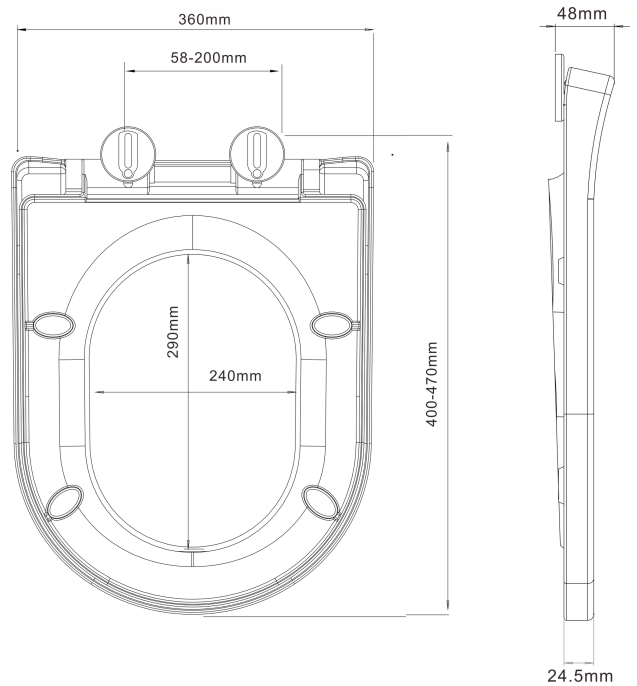
**These seats are designed to fit a matching Cob & Pen toilet suite.
Do not push down on soft close seat / lid while seat/lid is closing.
All Seats are NON RETURNABLE due to Sanitary Reasons**



SEATS



**1633056 ASHFORD
UF MATERIAL**



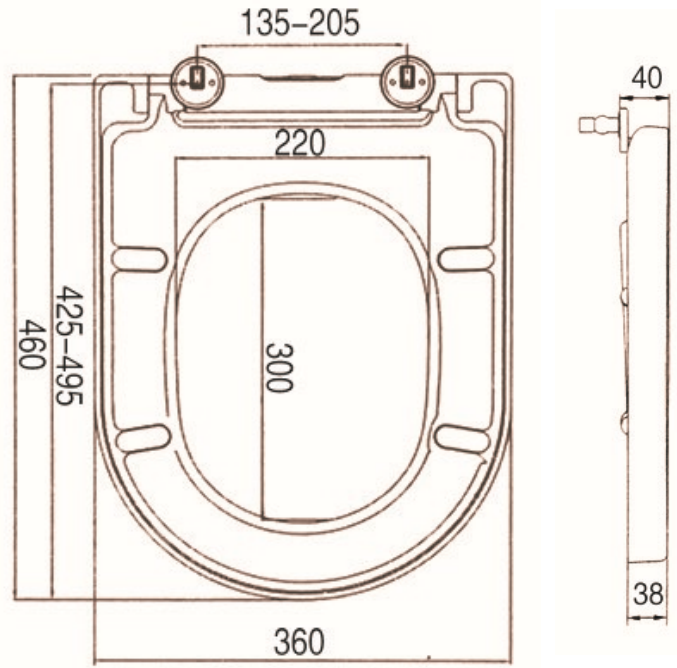
**1630101 MONASH & BARNETT
UF MATERIAL**

Disclaimer: Products in this specification manual must by regulation be installed by licensed and registered trade people. The manufacturer/distributor reserves the right to vary specifications or delete models from their range without prior notification. Dimensions and set-outs listed are correct at time of publication however the manufacturer/distributor takes no responsibility for printing errors. Have actual item onsite before commencing any works Allow +/- variations to the measurements listed here

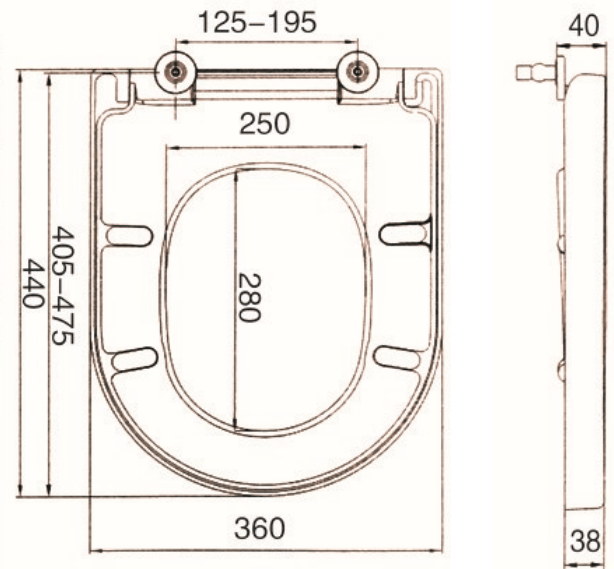
**These seats are designed to fit a matching Cob & Pen toilet suite.
Do not push down on soft close seat / lid while seat/lid is closing.
All Seats are NON RETURNABLE due to Sanitary Reasons**



SEATS



1627646 DUBLIN
FOR DUBLIN SUITE PRE 2021.
SEAT LENGTH IS 460MM
UF MATERIAL



DUBLIN
FOR DUBLIN SUITE 2022 ONWARDS
SEAT LENGTH IS 440MM
USE ASHFORD SEAT 1633056
UF MATERIAL

Disclaimer: Products in this specification manual must by regulation be installed by licensed and registered trade people. The manufacturer/distributor reserves the right to vary specifications or delete models from their range without prior notification. Dimensions and set-outs listed are correct at time of publication however the manufacturer/distributor takes no responsibility for printing errors. Have actual item onsite before commencing any works Allow +/- variations to the measurements listed here

These seats are designed to fit a matching Cob & Pen toilet suite.

Do not push down on soft close seat / lid while seat/lid is closing.

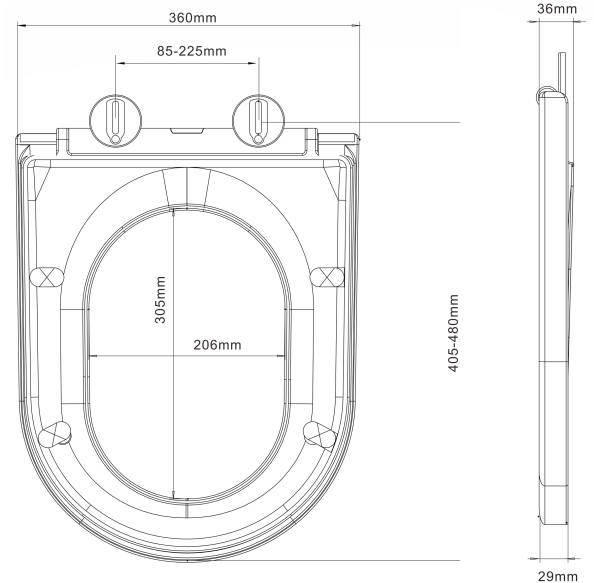
All Seats are NON RETURNABLE due to Sanitary Reasons



SEATS



1645163
ASHFORD/HORIZON
SANDWICH SLIM
UF MATERIAL



1630105
TACOMA
UF MATERIAL

Disclaimer: Products in this specification manual must by regulation be installed by licensed and registered trade people. The manufacturer/distributor reserves the right to vary specifications or delete models from their range without prior notification. Dimensions and set-outs listed are correct at time of publication however the manufacturer/distributor takes no responsibility for printing errors. Have actual item onsite before commencing any works Allow +/- variations to the measurements listed here

**These seats are designed to fit a matching Cob & Pen toilet suite.
Do not push down on soft close seat / lid while seat/lid is closing.
All Seats are NON RETURNABLE due to Sanitary Reasons**



SEATS

There are two types of materials that are used to construct toilet seats being UF, which stands for Urea-Formaldehyde, and PP, which stands for Polypropylene.

Urea-Formaldehyde

- The UF material does not scratch
- It is easy to clean and smooth to touch
- UF looks more like ceramic and less like plastic than the PP material
- When you tap on it you will notice it has a 'deeper' sound and doesn't sound 'plastic'

Polypropylene

- Shiny look
- Very Durable
- Generally inexpensive
- Lightweight
- "Plastic" look
- Not scratch resistant