

BIANCA SHOWER MIXER



SPECIFICATION

PRODUCT CODE	YSW3215-09
WELS RATING	N/A
WATERMARK LICENSE	WM-060073
TEMPERATURE RATING	MIN 1°C-MAX 75°C
PRESSURE RATING	MIN 150KPa-MAX 500KPa

FINISH

	NR321509CH	chrome
	NR321509BRG	brushed rose gold
	NR321509MB	matte black
	NR321509BN	brushed nickel
	NR321509GM	gun metal
	NR321509BG	brushed gold

MAINTENANCE AND CARE

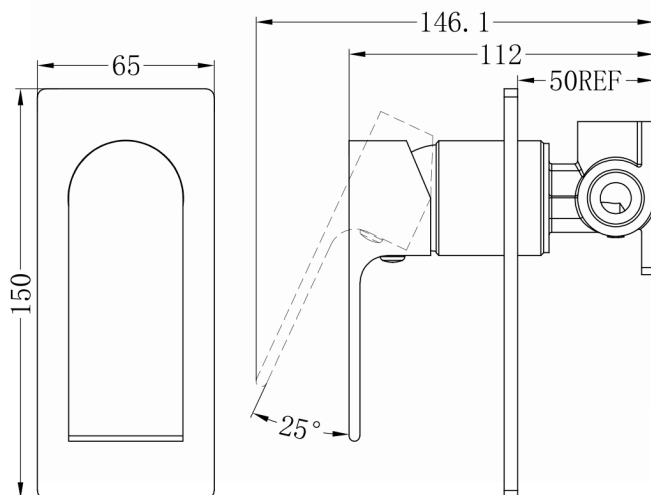
All surfaces should be cleaned with mild liquid detergent or soap and water.

Do not use cream cleaners or citrus based cleaning products, as they are abrasive.

Use of unsuitable cleaning agents may damage the surface. Any damage caused in this way will not be covered by warranty.

PACKAGING INCLUDES

- 1x mixer body
- 1x plate
- 1x handle
- 1x installation kit



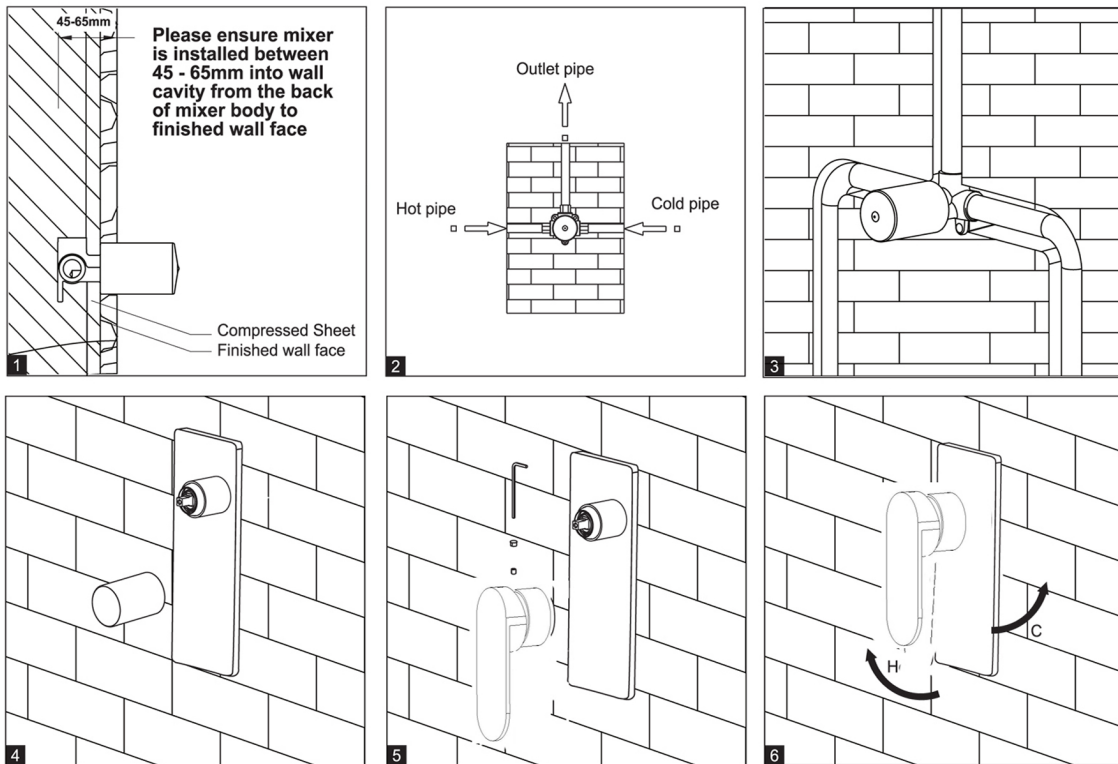
Dimensions are nominal measurements only.



Versions: 2019.11.26

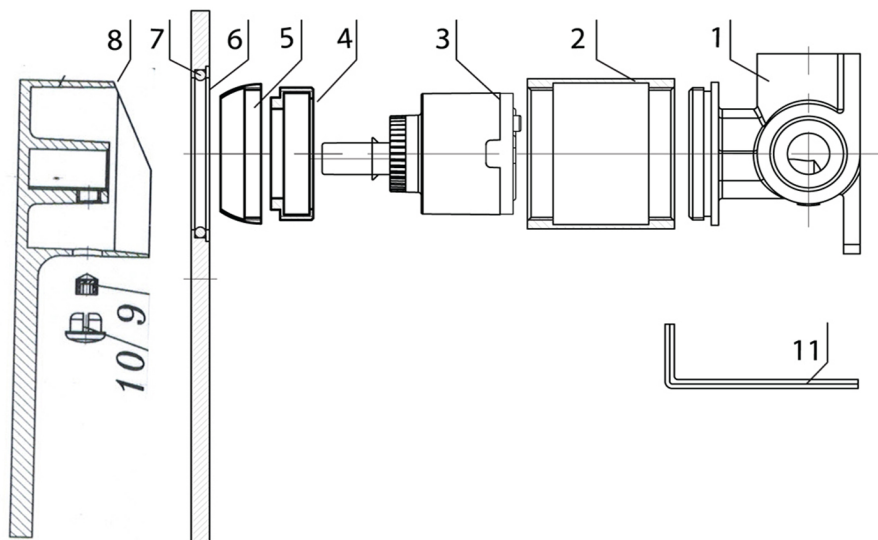
www.nerotapware.com.au

INSTALL INSTRUCTION



1. Install mixer body into wall cavity. Refer to diagram 1 above for setting depth of mixer body in relation to finished wall face.
2. Connect all pipe work as per diagram 2 above.
3. Pressure test for leaks then proceed to waterproof installation.
4. Remove protective sleeve and install decorator plate.
5. Install handle.
6. Operate mixer.

EXPLOSIVE VIEW



1. Body
2. Mixer body
3. Cartridge
4. Retaining nut
5. Cartridge cover
6. Backing plate
7. O-ring
8. Handle
9. Grub screw
10. Cap
11. Allen key