

Nero

DOLCE KITCHEN MIXER

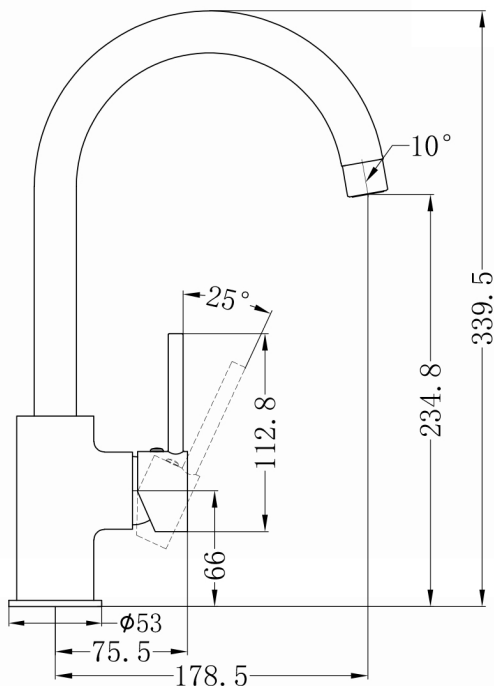


SPECIFICATION

PRODUCT CODE	YSW2508-07
WELS RATING	4 STAR 7.5L/MIN
WATERMARK LICENSE	WM-060073
TEMPERATURE RATING	MIN 1°C-MAX 75°C
PRESSURE RATING	MIN 150KPa-MAX 500KPa

FINISH

NR250807CH	chrome
NR250807MB	matt black
NR250807BN	brushed nickel



MAINTENANCE AND CARE

All surfaces should be cleaned with mild liquid detergent or soap and water.

Do not use cream cleaners or citrus based cleaning products, as they are abrasive.

Use of unsuitable cleaning agents may damage the surface. Any damage caused in this way will not be covered by warranty.

PACKAGING INCLUDES

- 1x kitchen mixer
- 1x base ring
- 2x flexible hoses
- 1x installation kit

Dimensions are nominal measurements only.



Versions: 2021.10

www.nerotapware.com.au

IMPORTANT: Please read all of the instruction before installation.

General:

Nero recommends this product is installed by a licensed plumber in compliance with all relevant regional regulations.

Do not hydrostatic test the installation with this mixer installed. Damage to the ceramic cartridge may occur.

All pipe work must be thoroughly flushed prior to the installation of the mixer.

In-line filters must be fitted on both hot and cold supplies to prevent foreign particles damaging the ceramic cartridge.

Do not remove the ceramic cartridge from the mixer when installing.

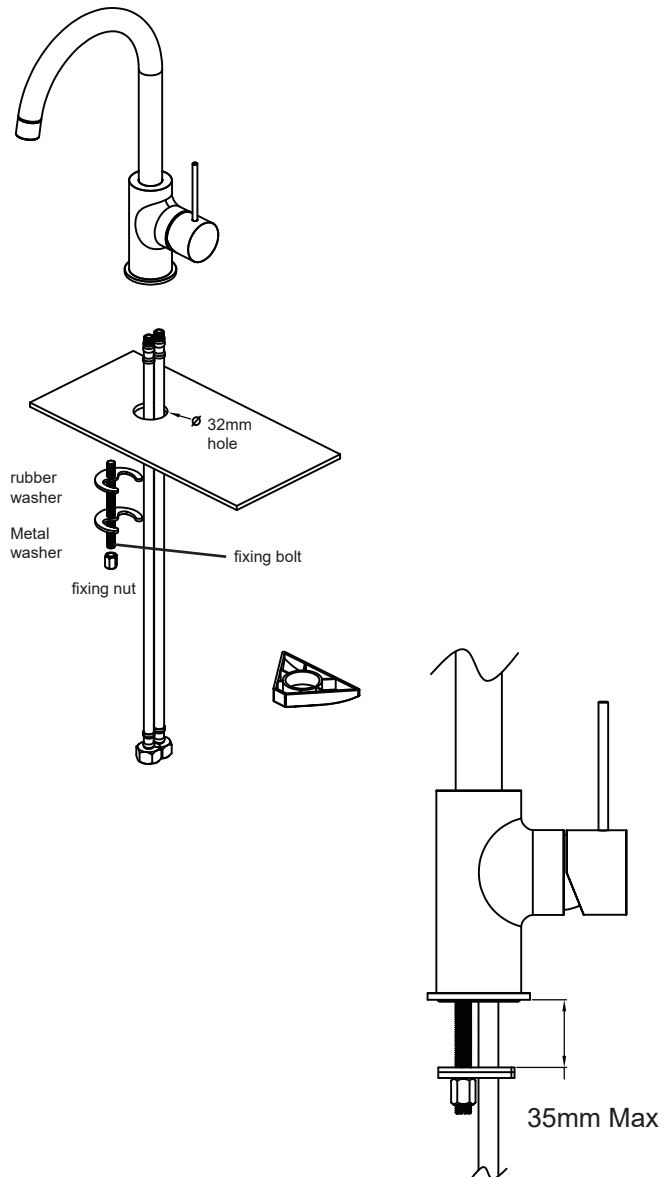
After installation all connections must be checked for leaks.

All outlets used primarily for personal hygiene shall deliver water at a safe temperature as per regional regulations.

This mixer is not recommended for use in uncontrolled heating systems such as wet-backs or solar heating units unless a suitable tempering valve is fitted.

If limited water flow is experienced, locate aerator and filter washers and clean away foreign material as required.

It is the responsibility of the installer to ensure a waterproof seal is achieved between the product and mounting surface. If in doubt about the requality of the seal, remove the product and reinstall.



1. Screw the flexible hoses and fixing bolt into the mixer body, and fully hand tighten.
2. Pass the tail of flexible pipes through the hole on the bench top from above, and place the mixer in position on the bench top. Inspect to see if any alteration to the existing supply pipe work is required. Make any necessary alterations.
3. Compress the metal washer (triangle plate, if needed) and rubber washer through the fixing bolt and against to the under-side of the counter. Then tighten the screw nut by socket wrench.
4. Check that the mixer body is correctly positioned, fully tighten screw and fixing bolt firmly.
5. Connect the water supply pipes to the tail of flexible hoses with the hot water and cold water. Make sure the o-ring in the base ring seals completely around the hole in the mounting surface
6. Test for any leaks.