

# Nero

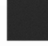
## MECCA PULL OUT SINK MIXER

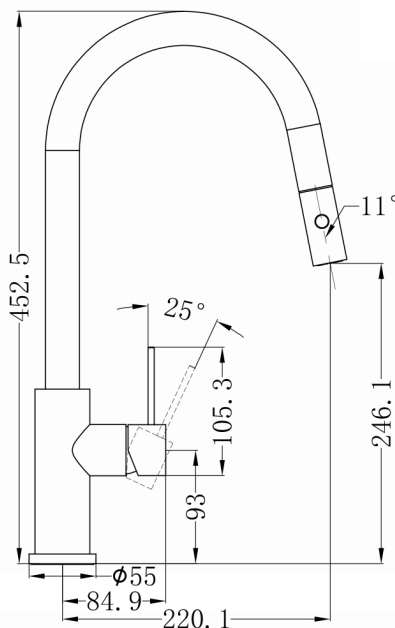


### SPECIFICATION

PRODUCT CODE	YSW2219-08
WELS RATING	5 STAR 5L/MIN
WATERMARK LICENSE	WM-060073
TEMPERATURE RATING	MIN 1°C-MAX 75°C
PRESSURE RATING	MIN 150KPa-MAX 500KPa

### FINISH

	NR221908CH	chrome
	NR221908MB	matte black
	NR221908BN	brushed nickel
	NR221908GM	gun metal
	NR221908BG	brushed gold
	NR221908BZ	brushed bronze



### MAINTENANCE AND CARE

All surfaces should be cleaned with mild liquid detergent or soap and water.

Do not use cream cleaners or citrus based cleaning products, as they are abrasive.

Use of unsuitable cleaning agents may damage the surface. Any damage caused in this way will not be covered by warranty.

### PACKAGING INCLUDES

- 1x pull out sink mixer
- 2x flexible hose
- 1x base ring
- 1x installation kit

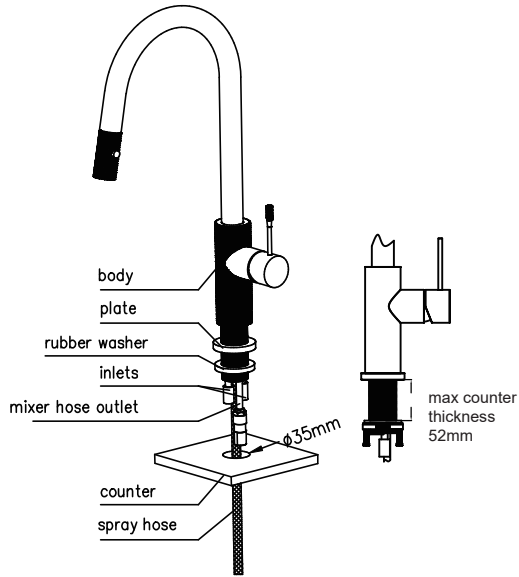
Dimensions are nominal measurements only.



Versions: 2021.06

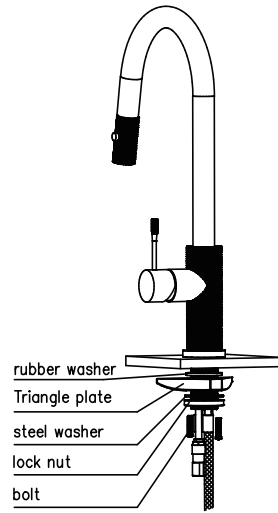
[www.nerotapware.com.au](http://www.nerotapware.com.au)

1



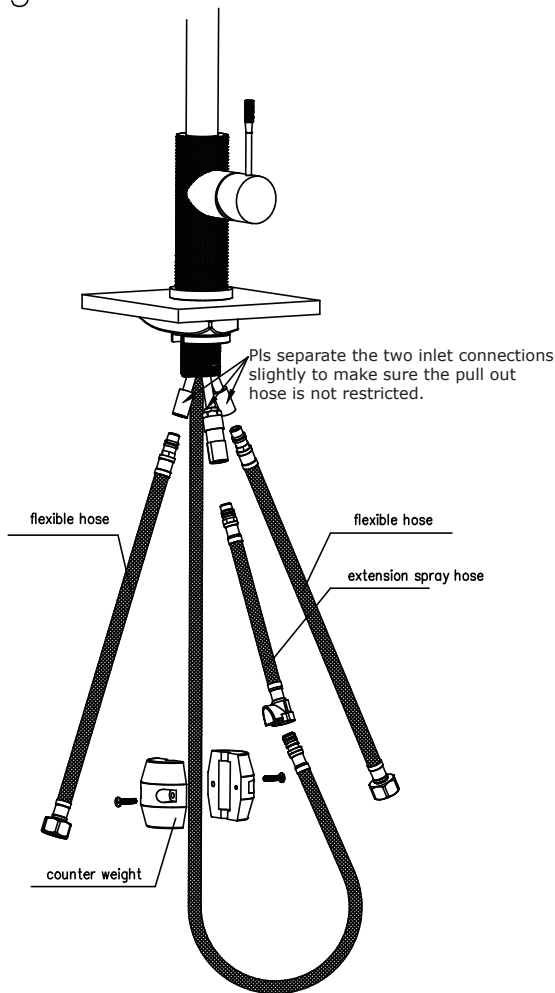
Use a 35mm hole saw cut a hole through the counter. Remove the lock nut, triangle plate, steel washer. Feed spray hose through the hole and position the mixer over the hole.

2



Slide the rubber washer, triangle plate and steel washer and lock nut over spray hose, screw onto thread pipe. Tighten the lock nut firmly and then tighten the 2 bolts on the lock nut firmly as well.

3



4

