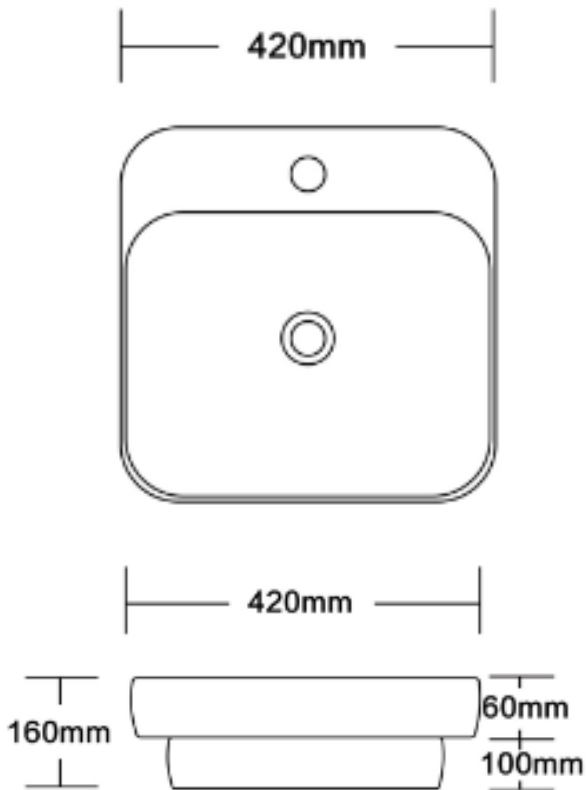


FLORENCE

Semi inset basin



- Vitreous china GLOSS white basin
- Modern soft square design with Thin edges
- 420x 420 x 160h overall or 60mm high when inset
- One tap hole
- No overflow
- 32mm Plug & washer required - sold separately

SKU: 1633007



swan | bathrooms

swanbathrooms.com.au | 1800 571 060

Disclaimer: Dimensions are nominal measurements only and are subject to change without notice. Always use physical products for setouts and roughing in, as specification drawings can vary from actual product received.

Warranty: Conditions apply - full terms and conditions available upon request V: 10/21