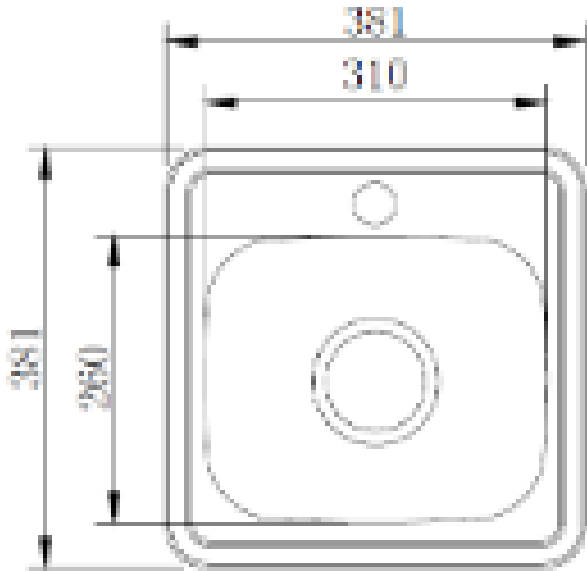


# BERMA

## INSET BAR SINK



- Inset Bar sink
- Stainless steel - SS304
- One tap hole
- 381 x 381 overall x 150 deep
- 310w x 260h internal measurement

SKU: 1626942



**swan** | bathrooms

swanbathrooms.com.au | 1800 571 060

**Disclaimer:** Dimensions are nominal measurements only and are subject to change without notice. Always use physical products for setouts and roughing in, as specification drawings can vary from actual product received.

**Warranty:** Conditions apply - full terms and conditions available upon request V: 10/21